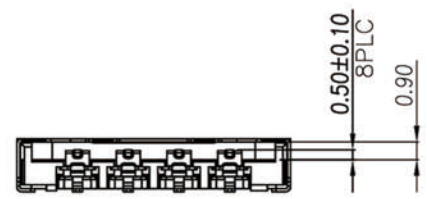
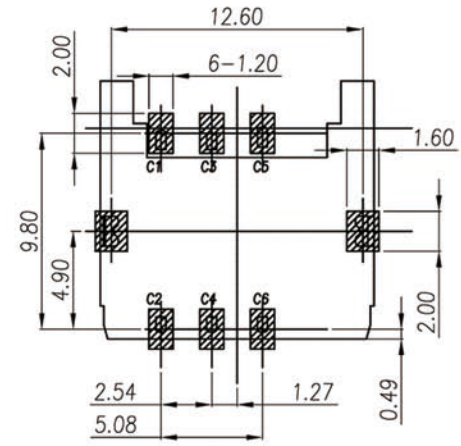


INSERT CARD



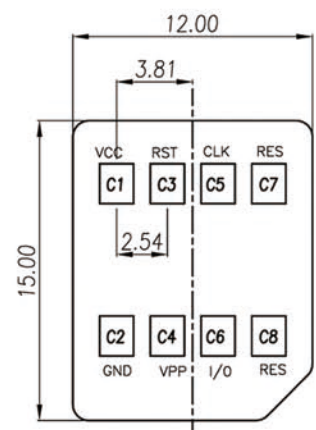
NOTES:

- 1) MATERIAL:
 - 1-1 HOUSING:THERMOPLASTIC,UL 94V-0,COLOR:BLACK
 - 1-2 CONTACT:COPPER ALLOY
 - 1-3 SHELL:STAINLESS STEEL
- 2) FINISH:
 - 2-1 CONTACT:GOLD PLATING ON CONTACT AREA
1u" MIN Au PLATING ON SOLDER AREA,
50u" MIN NICKEL UNDERPLATING OVER ALL
 - 2-2 SHELL:1u" MIN Au PLATING ON SOLDER AREA
50u" MIN NICKEL UNDERPLATING OVER ALL
- 3) PRODUCT SPECIFICATIONS:
 - 3-1 VOLTAGE RATING: 50V
 - 3-2 CURRENT RATING: 1.0A
 - 3-3 INSULATION RESISTANCE: 1000MEG.OHM MIN
 - 3-4 CONTACT RESISTANCE: 50 MILL.OHM MAX
 - 3-5 OPERATION TEMPERATURE: -20° TO +85°
 - 3-6 DURABILITY: 2000 CYCLES



RECOMMENDED PCB LAYOUT(TOP VIEW)
GENERAL TOLERANCES:±0.05

MICRO SIM CARD	
PIN NO.	DESCRIPTION
C1	VCC
C3	RST
C5	CLK
C7	
C2	GND
C4	VPP
C6	I/O
C8	RES



MICRO SIM CARD
芯片面朝下视图

UNITS: mm	CSCONN	CSCONN PRECISE ELECTRONICS CO.,LTD		
GENERAL TOLERANCE	PART NO.(INTENDED USE) CSI061326501001	TITLE: MICRO SIM CARD 6P H=2.65MM 抽屉式		
X. ° ±5°	0. X±0.25	DWG NO. SIM CARD		
X. 1±2°	0. XX±0.2	SCALE SHEET REV		
XX. ±1°	0. XXX±0.1	1:1 1 OF 1 A		
	APPD:			
	CHKD: Skila			
	DR: Kitty			