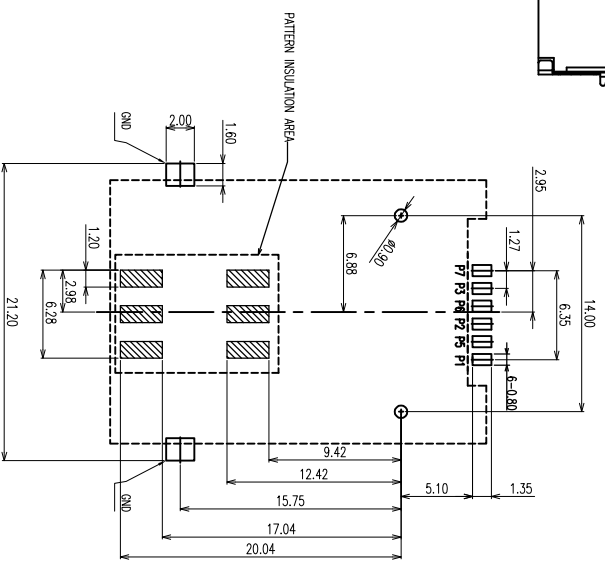


CONNECTOR TERMINAL NO.	PIN NO.
PIN 1	VCC : PWR SIGNAL AND GND
PIN 2	RST : RESET SIGNAL
PIN 3	CLK : CLOCKING SIGNAL
PIN 5	GND : PWR SIGNAL AND GND
PIN 6	VPP : PROGRAMMING VOLTAGE
PIN 7	I/O : SERIAL DATA INPUT/OUTPUT



Specification:

- Electrical Characteristics:
  - Current Rating: 0.5A
  - Withstanding Voltage: 4500V r.m.s.
  - Insulation Resistance: 1000Megaohms Minimum at DC 500V
  - Contact Resistance: 100Milliohms Maximum.
- Mechanical Characteristics:
  - Mating Cycles: 3000 Insertions.
  - Environment:
    - Operating Temperature: -40 to +60°
  - Material:
    - 1.Housing-Temp plastic UL 94V-0 Rated.
    - 2.Contact-Copper Alloy.
    - 3.Spring-SUS.
  - Finish:
    - 3u" Gold plated on contact area, 100u" Min Tin plated on solder tabs.
    - Base Nickel: 50u" Min.

DENOTES MAJOR DIMENSION MEASUREMENT REQUIRED THE PRODUCT ACCORD WITH THE REGULATION OF ROHS AND "MANAGEMENT REGULATIONS FOR THE ENVIRONMENT RELATED SUBSTANCES AND MATERIALS"

ITEM	NAME	QTY/ EACH	MATERIAL/ FINISHED	REMARK
6	STAMPLE	1	SUS301	
5	SHELL	1	SUS301	
4	SLIDER	1	THERMOPLASTIC UL94V-0 BLACK	
3	SPRING	1	SUS 301	
2	CONTACT	6	COPPER ALLOY, AU PLATED	
1	HOUSING	1	THERMOPLASTIC UL94V-0 BLACK	

UNITS: mm	GENERAL TOLERANCE
	1 ± 0.15
	0.1 ± 0.1

CSCONN		CSCONN PRECISE ELECTRONICS CO.,LTD	
PART NO.(INTERED USE)	CS106268418001	TITLE:	SIM CARD SOCKET 6P PUSH 1.8H
APPD:	Skita	DWG.NO.	SIM CARD
CHKD:	Skita	SCALE	SHEET
DR:	Kitty	1:1	1 OF 1
			REV
			A

