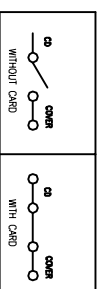
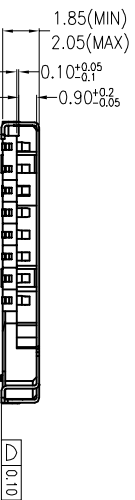
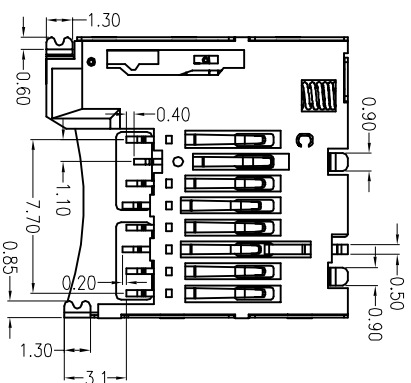
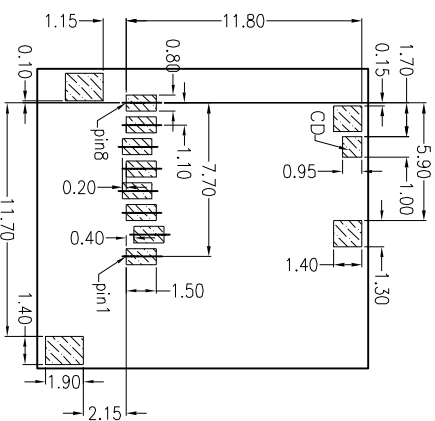


SECTION A-A



- NOTES:
- MATERIAL:
HOUSING: HIGH TEMPERATURE THERMOPLASTIC
UL94V-0 COLOR-BLACK.
CONTACT: COPPER ALLOYS.
COVER: COPPER ALLOYS OR STEEL.
 - PLATING:
UNDERPLATE: NICKEL.
CONTACT AREA: GOLD OVER NICKEL.
SOLDER AREA: TIN OVER NICKEL.
 - MULTIMEDIA CARD COMPATIBLE



RECOMMENDED P.C.B HOLE LAYOUT
COMPONENT SIDE VIEW(TOLERANCE: +/-0.05)

| PIN NO. | NAME | TYPE | DESCRIPTION |
|---------|---------|--------|-----------------------------|
| 1 | DATE | I/O/PP | DATE LINE(BIT2) |
| 2 | CD/DAT3 | I/O/PP | CARD DETECT DATE LINE(BIT3) |
| 3 | CMD | PP | COMMAND RESPONSE |
| 4 | VDD | S | SUPPLY VOLTAGE |
| 5 | CLX | S | CLOCK |
| 6 | VSS | S | SUPPLY VOLTAGE GROUND |
| 7 | DATO | I/O/PP | DATE LINE(BIT0) |
| 8 | DAT1 | I/O/PP | DATE LINE(DIT1) |

| UNITS: mm | | GENERAL TOLERANCE | |
|------------|-------------|---|--------|
| X. ° ±5° | 0. X ±0.3 | CSCONN PART NO.(INTENDED USE) CTF1109185003 | |
| X. 1 ±2° | 0. XX ±0.2 | | |
| XX. ±1° | 0. XXX ±0.1 | | |
| XXX. ±0.5° | | CSCONN PRECISE ELECTRONICS CO.,LTD TITLE: T-FLASH CARD 9P PUSH PUSH 内挿式 DWG NO. CARD | |
| APPD: | SKILIA | SCALE | SHEET |
| CHKD: | Kitty | 1:1 | 1 OF 1 |
| DR: | | | REV |
| | | | A |



SCALE SHEET

CARD

1:1 1 OF 1 REV

A